



## T60 Series Parts Manual

Pro Gear's Harmon-Herrington T60 Series parts manual to assist in identifying the parts for your Harmon-Herrington transfer case unit.

If you need any assistance identifying the correct transfer case unit for your truck and equipment, contact your Harmon-Herrington replacement part specialists at Pro Gear and Transmission.

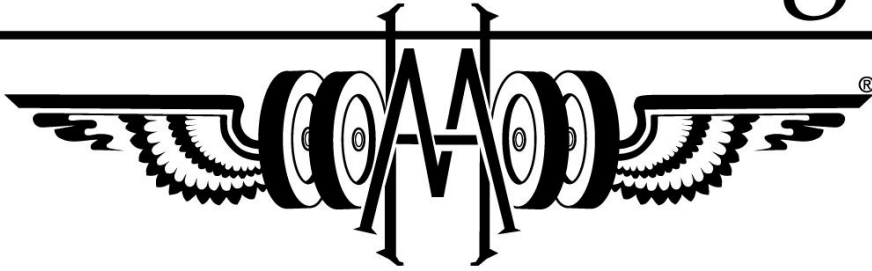
Pro Gear Transmission has same day shipping and 1000's of products in stock and ready to ship internationally for your next project.

For parts or service contact the Harmon-Herrington specialists at Pro Gear & Transmission, Inc.

1 (877) 776-4600  
(407) 872-1901  
parts@eprogear.com

# Marmon-Herrington

---



## **SERVICE PARTS MANUAL FOR T60 SERIES**

Rev: 1

Date: 10/08/12

**MARMON-HERRINGTON ALL-WHEEL DRIVE**

[WWW.MARMON-HERRINGTON.COM](http://WWW.MARMON-HERRINGTON.COM)

13001 Magisterial Drive Louisville, KY 40223

(502) 253-0277 \* (800) 227-0727 \* Fax (502) 253-0317

Pro Gear and Transmission • 906 W. Gore St., Orlando, FL 32805 • 1 (877) 776-4600 / (407) 872-1901 • [parts@eprogear.com](mailto:parts@eprogear.com)

E-mail: [info@marmon-herrington.com](mailto:info@marmon-herrington.com)

# TABLE OF CONTENTS

REPLACEMENT PARTS & WARRANTY CLAIM PROCEDURE .....	3
COMPLETE TRANSFER CASE.....	4
REAR HOUSING.....	6-7
FRONT HOUSING.....	8-9
INPUT SHAFT COVER.....	10-11
INPUT SHAFT.....	12-13
OUTPUT SHAFT.....	14-15
HI-LO SHIFTING.....	16-17
FRONT DECLUTCH ASSEMBLY.....	18-19

Marmon-Herrington



## REPLACEMENT PARTS

When ordering replacement parts for **MARMON-HERRINGTON TRANSFER CASES**, the following information should be given:

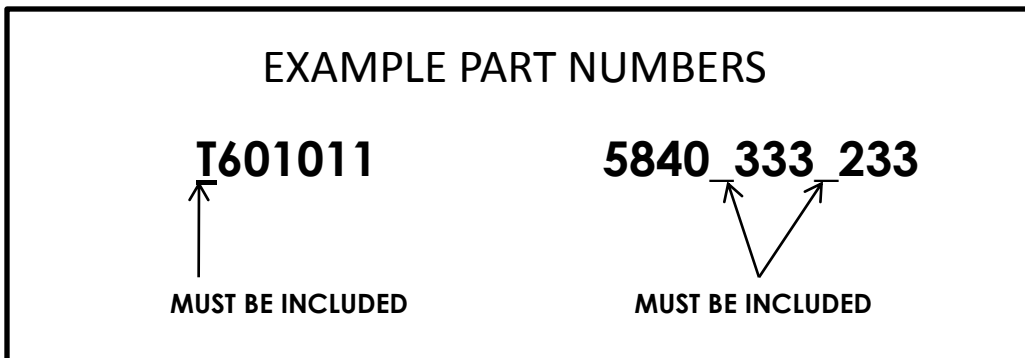
1. **FACTORY ORDER NUMBER.** Found on ID Plate affixed to Transfer Case Housing. This will be a six (6) digit number. (See illustration below)
2. Model of transfer case, i.e T-60.
3. Give quantity and complete part number including **ALL CHARACTERS** (including zeros (0), dashes (-), underscores (\_), and spaces). **Note:** Drivelines, shift linkages, etc., can be found on the computer printout of Bill of Material, which is included in the Service Manual.
4. Give complete billing and shipping address.

## WARRANTY CLAIM PROCEDURE

Before proceeding with repairs or ordering parts that you feel may be covered under warranty, you must first contact Marmon-Herrington Customer Service Department and obtain a Repair Authorization number.

Please be prepared to supply all of the following information:

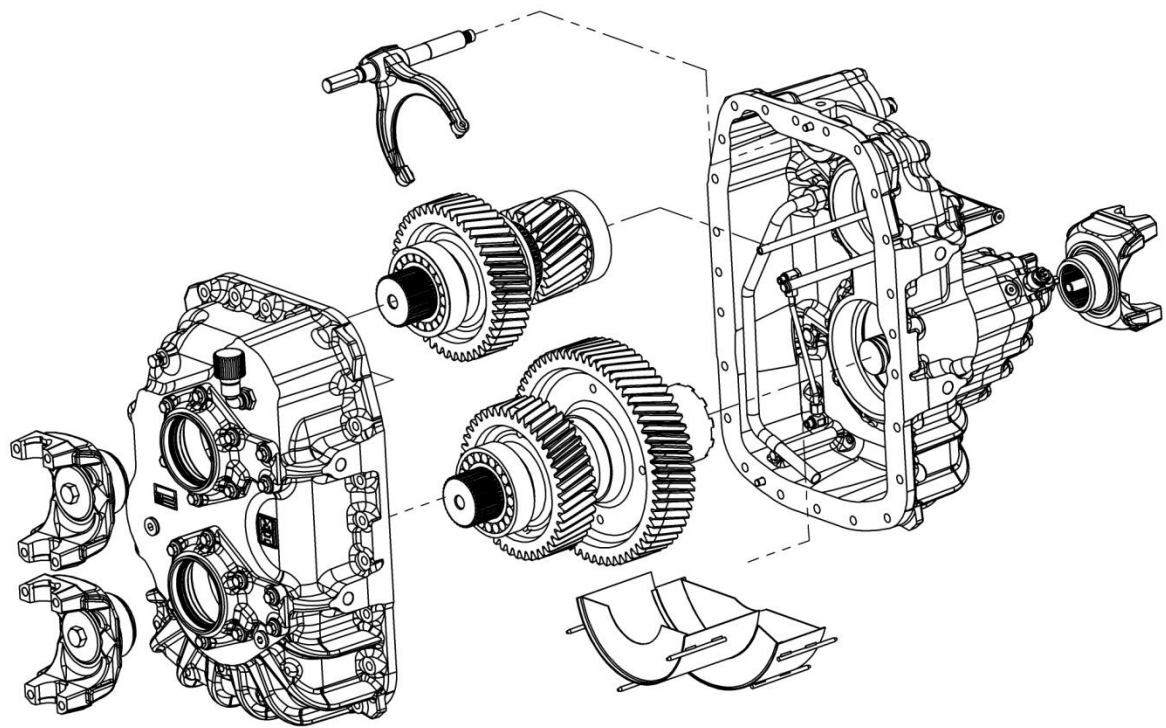
- Factory Order Number**- This is located on an ID plate fixed to either the driver's door panel or the component (axle or transfer case) itself.
- Model and Serial Number** (Required)- Again located on the ID plate fixed to either the driver's door panel or the component itself.
- Vehicle year, Make and Model**
- Vehicle Identification Number**
- Mileage**
- In Service Date**



The information necessary for replacement parts and/or warranty claim procedures will be found on the ID Plate



# T60

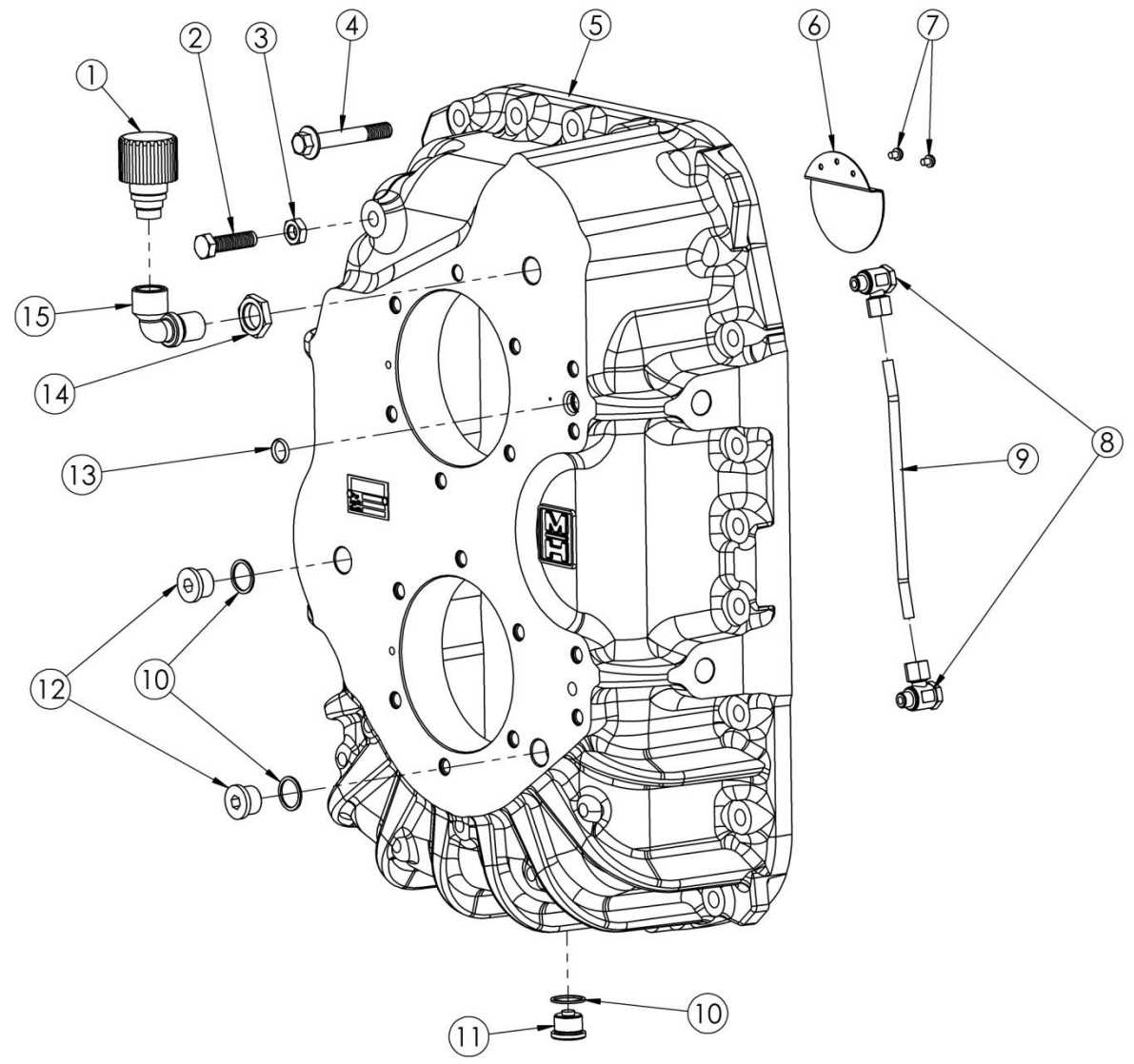


Marmon-Herrington



# Blank

# REAR HOUSING T60



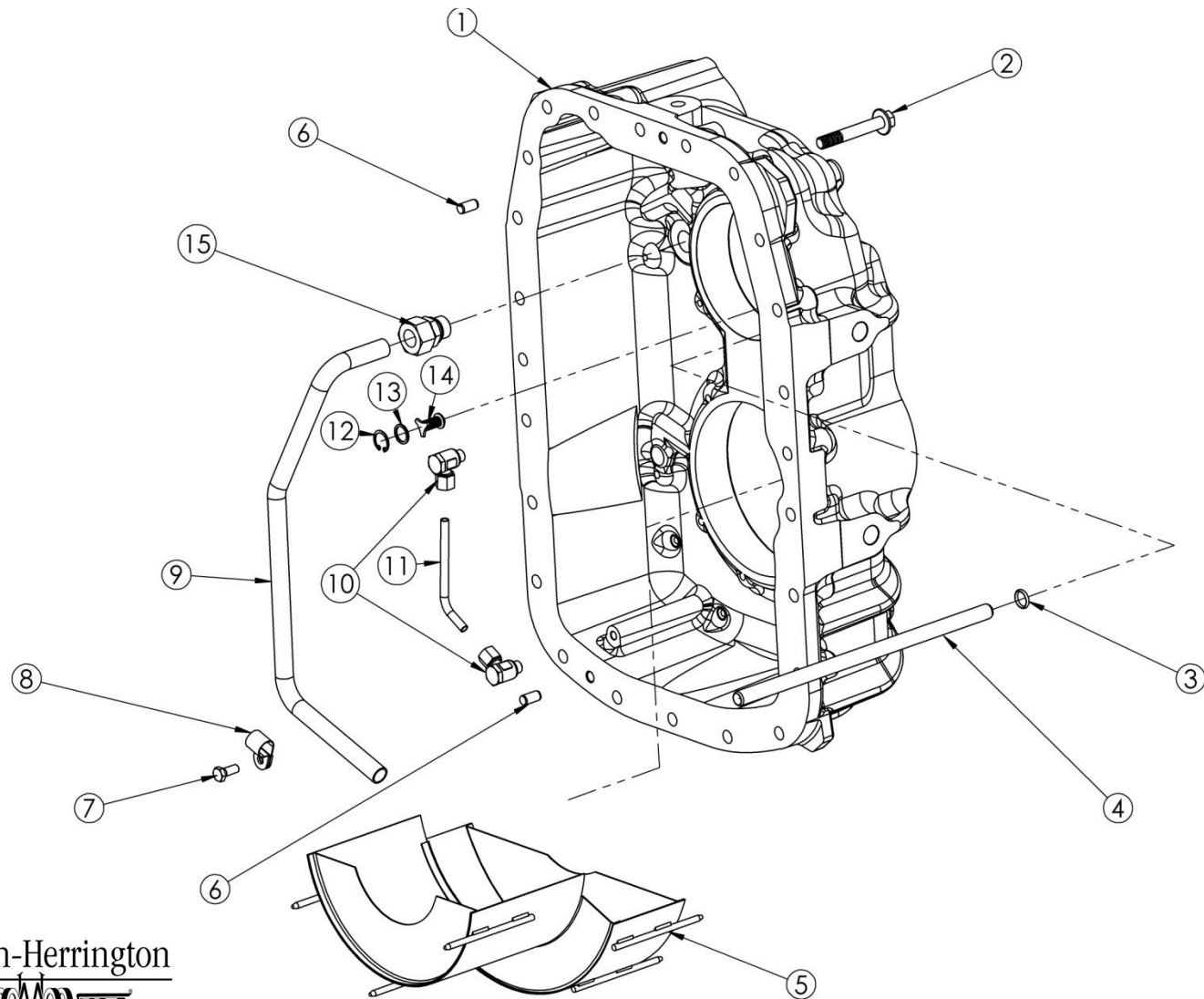
ITEM NO.	PART NUMBER	DESCRIPTION	QTY.	ITEM NO.	PART NUMBER	DESCRIPTION	QTY.
1	T301008	Breather Filter	1				
2	T601002	Bolt M12x45	1				
3	T601003	Nut M12x1.5	1				
4	T301220	Bolt M12x80	19				
5	T601005	Rear Housing	1				
6	T601006	Oil Baffle	1				
7	T601007	Screw M5x0.8	2				
8	T301039	Swivel Fitting, 90 degree	2				
9	T601009	Oil Tube	1				
10	T301014	Sealing Ring A22x27	2				
11	T301023	Drain Plug Magnetic M22x1.5	2				
12	T301015	Plug Screw M22x1.5	2				
13	T601013	O-Ring 15x2.5	1				
14	T601014	Nut M22x1.5	1				
15	T601015	Elbow	1				

**REAR HOUSING  
T60**





# FRONT HOUSING T60



Marmon-Herrington

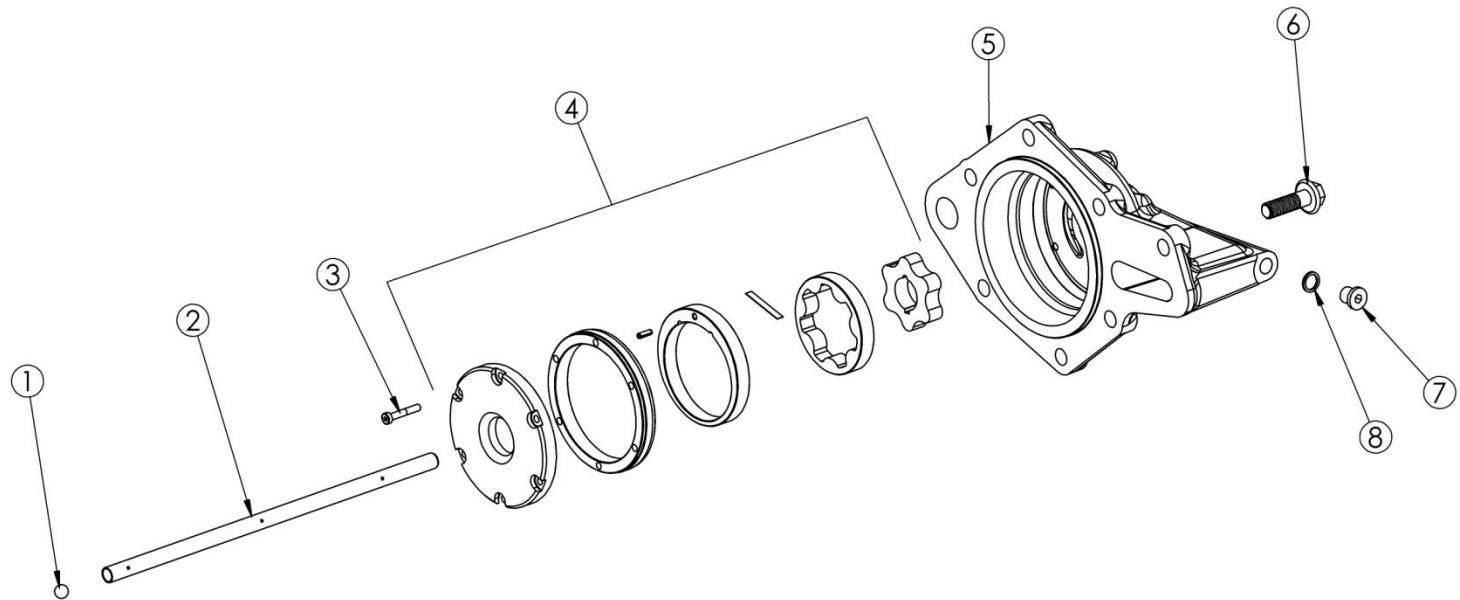


ITEM NO.	PART NUMBER	DESCRIPTION	QTY.	ITEM NO.	PART NUMBER	DESCRIPTION	QTY.
1	T601016	Front Housing	1				
2	T301220	Bolt M12x80	5				
3	T601013	O-Ring 15x2.5	1				
4	T601019	Tube	1				
5	T601020	Oil Deflector	1				
6	T301050	Dowel Pin M6x20	2				
7	T301036	Bolt M8x20	1				
8	T301035	Tube Clamp	1				
9	T601024	Oil Pickup Tube	1				
10	T301039	Swivel Fitting, 90 degree	2				
11	T601026	Tube Short	1				
12	T301057	Retaining Ring 21x1	1				
13	T301058	Sealing Ring A16x20	1				
14	T301059	Pressure Relief Valve	1				
15	T301033	Fitting, 18mm	1				

**FRONT HOUSING  
T60**



# INPUT SHAFT COVER T60



Marmon-Herrington

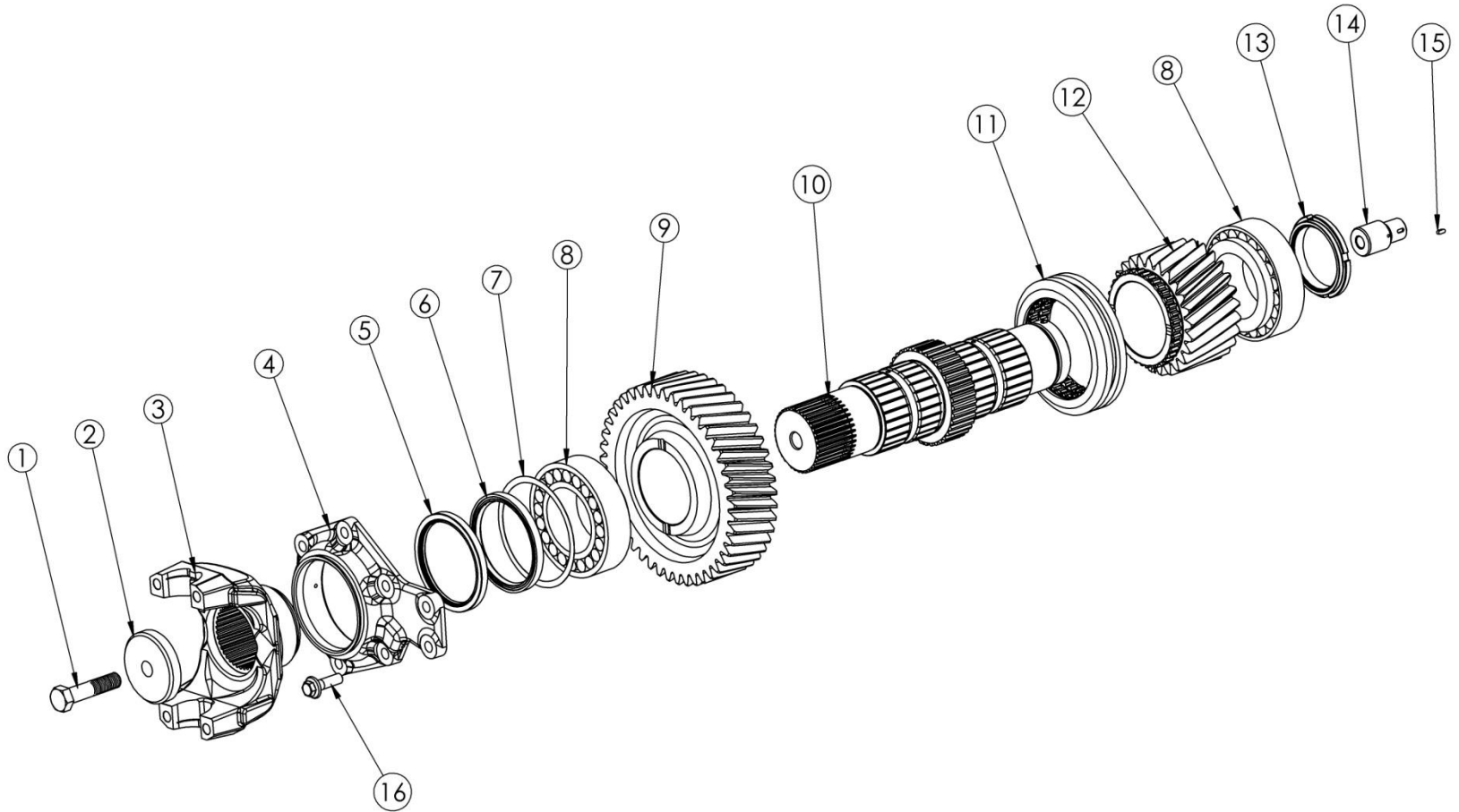


ITEM NO.	PART NUMBER	DESCRIPTION	QTY.	ITEM NO.	PART NUMBER	DESCRIPTION	QTY.
1	T301065	Detent Ball 10.319mm	NSS				
2	T601032	Oil Tube Input Shaft	1				
3	T301110	Bolt M5x30	6				
4	T301109	Oil Pump	1				
5	T601035	Oil Pump Cover	1				
6	T301061	Bolt M12x40	7				
7	T301037	Plug Screw M12x1.5	1			<b>NSS= Not Sold Seperately</b>	
8	T301038	Sealing Ring A12x15.5	1				

**INPUT SHAFT COVER  
T60**



# INPUT SHAFT T60



Marmon-Herrington

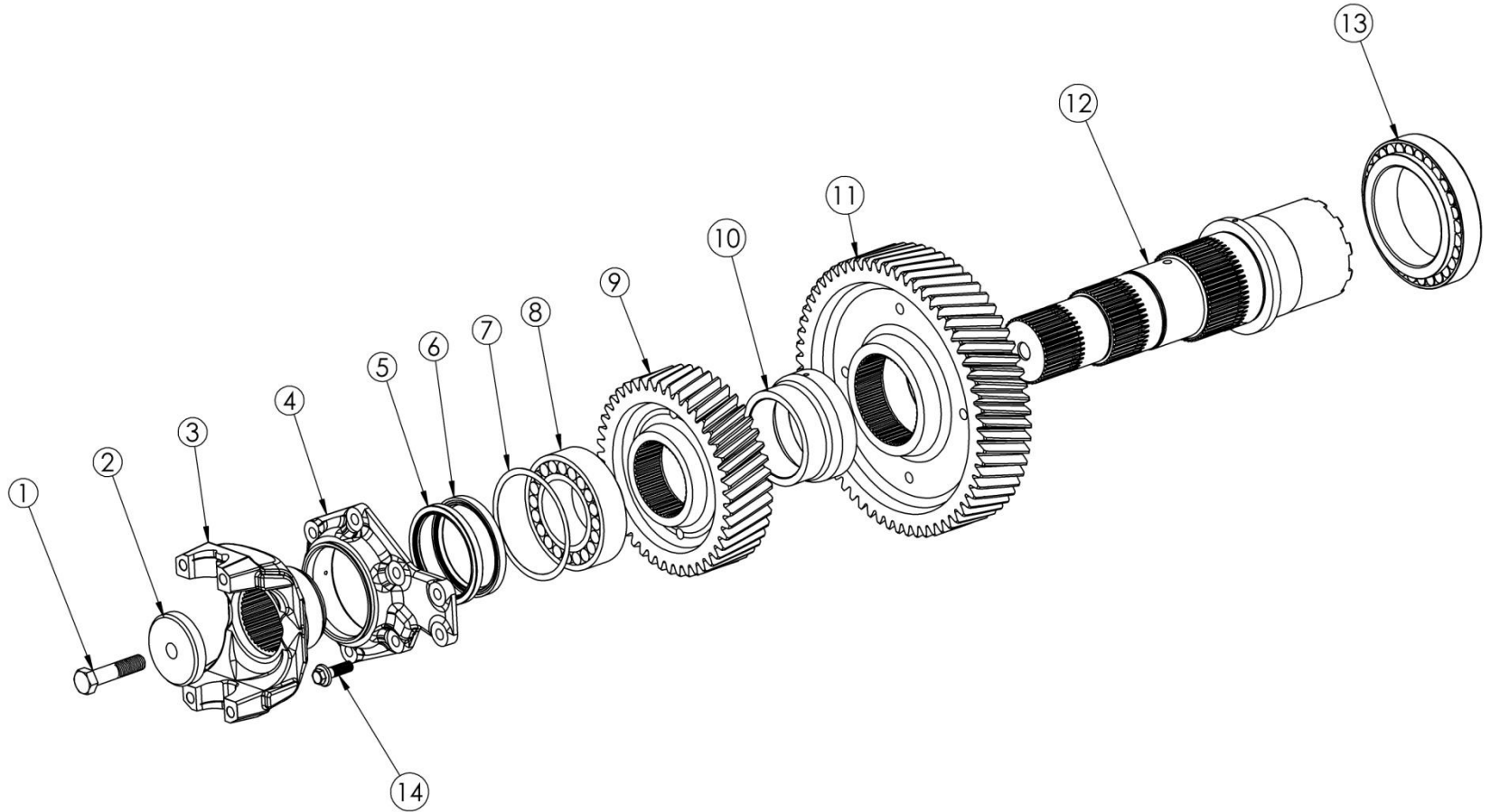


ITEM NO.	PART NUMBER	DESCRIPTION	QTY.	ITEM NO.	PART NUMBER	DESCRIPTION	QTY.
1	T601039	Bolt M18x80	1				
2	T601040	Washer, 1760 Flange	1				
3	T601041	1760 Flange 38 Spline	1				
4	T601042	Shaft Cover	1				
5	T601043	Seal, Outer 120x100x10	1				
6	T601044	Seal, Inner 120x100x10	1				
7	T601045A	Shim 139.7x120.5x0.7mm	AR				
	T601045B	Shim 139.7x120.5x0.3mm	AR			<b>AR=As Required</b>	
	T601045C	Shim 139.7x120.5x0.2mm	AR				
	T601045D	Shim 139.7x120.5x0.15mm	AR				
8	T601049	Bearing 140x80x46	2				
9	T601050	Drive Gear 45T	1				
10	T601051	Input Shaft	1				
11	T301076	Coupler	1				
12	T601053	Drive Gear 25T	1				
13	T301071	Groove Nut M78	1				
14	T601055	Oil Pump Entrainment	1				
15	T301120	Key A4x4x10	1				
16	T301061	Bolt M12x40	8				

**INPUT SHAFT  
T60**



# OUTPUT SHAFT T60



Marmon-Herrington



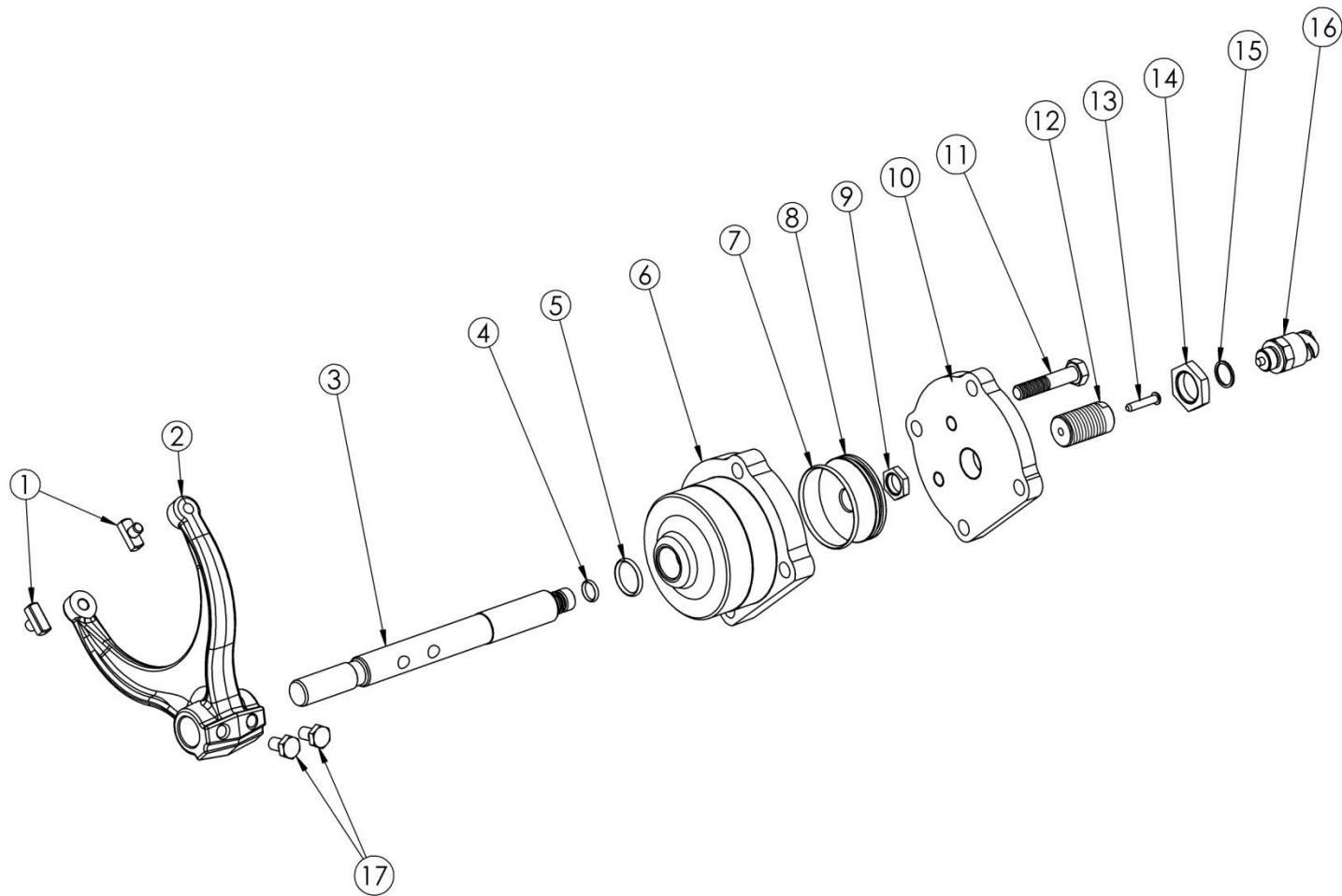
ITEM NO.	PART NUMBER	DESCRIPTION	QTY.	ITEM NO.	PART NUMBER	DESCRIPTION	QTY.
1	T601039	Bolt M18x80	1				
2	T601040	Washer, 1760 Flange	1				
3	T601041	1760 Flange 38 Spline	1				
4	T601042	Shaft Cover	1				
5	T601043	Seal, Outer 120x100x10	1				
6	T601044	Seal, Inner 120x100x10	1				
7	T601045A	Shim 139.7x120.5x0.7mm	AR				
	T601045B	Shim 139.7x120.5x0.3mm	AR			<b>AR=As Required</b>	
	T601045C	Shim 139.7x120.5x0.2mm	AR				
	T601045D	Shim 139.7x120.5x0.15mm	AR				
8	T601049	Bearing 140x80x46	1				
9	T601069	Output Gear 44T	1				
10	T601070	Spacing Collar	1				
11	T601071	Output Gear 62T	1				
12	T601072	Output Shaft, Rear	1				
13	T301121	Bearing 180x120x38	1				
14	T301061	Bolt M12x40	8				

**OUTPUT SHAFT  
T60**





# HI-LO SHIFTING T60



Marmon-Herrington

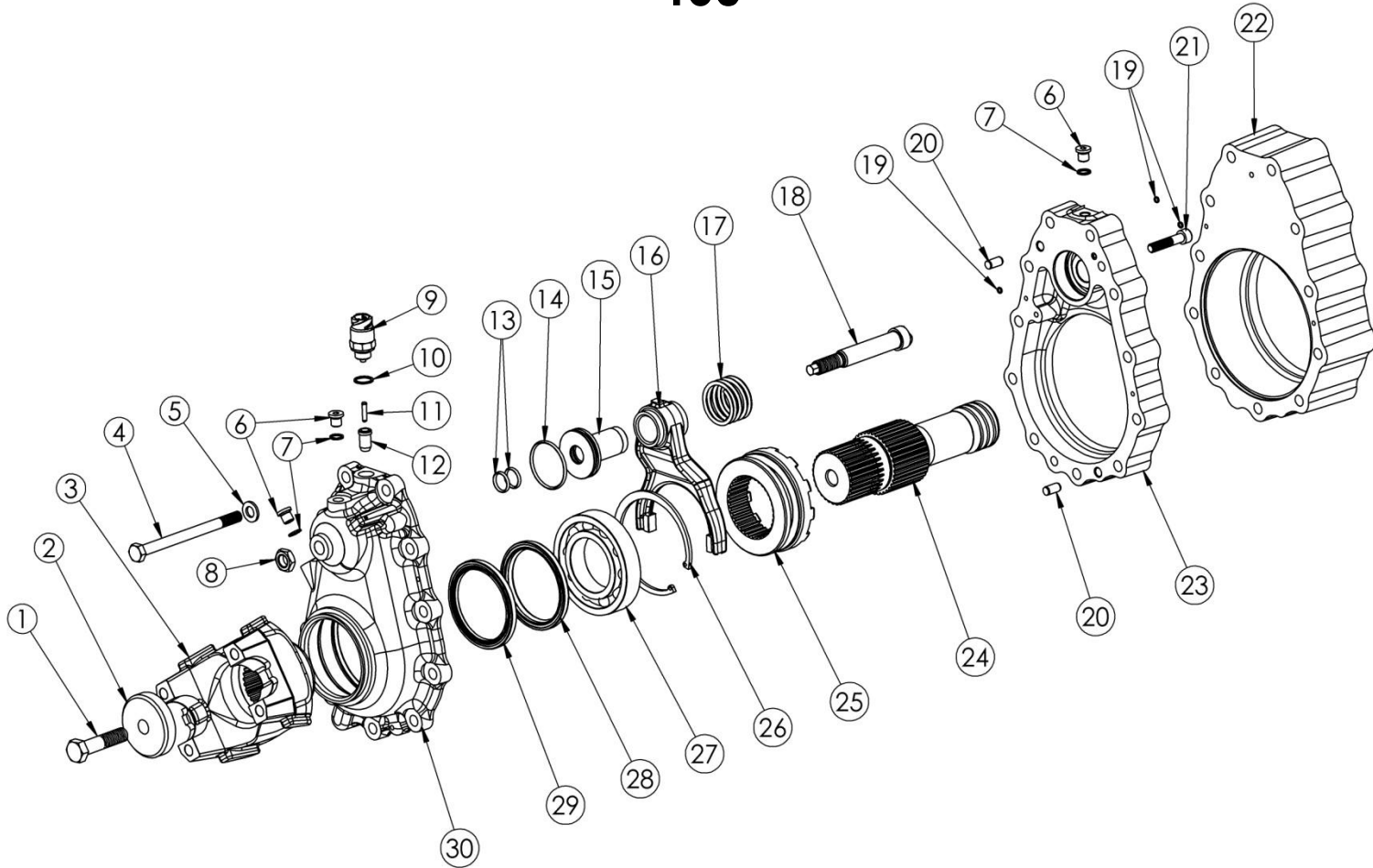


ITEM NO.	PART NUMBER	DESCRIPTION	QTY.	ITEM NO.	PART NUMBER	DESCRIPTION	QTY.
1	T301168	Slide Block	2				
2	T301169	Shift Fork	1				
3	T601077	Shift Rod	1				
4	T301173	O-Ring 13.2x2.4	1				
5	T301194	O-Ring 26x3	1				
6	T601080	Shift Cylinder	1				
7	T301191	O-Ring 65x3	1				
8	T301192	Piston	1				
9	T301178	Nut M18x1.5	1				
10	T601084	Shift Cylinder Cover	1				
11	T601085	Bolt M12x60	4				
12	T301022	Adjusting Screw	1				
13	T301184	Switch Pin	1				
14	T301021	Nut M26x1.5	1				
15	T301020	Sealing Ring A18x22	1				
16	T301182	Pressure Switch	1				
17	T301170	Bolt M10x25	2				

**HI-LO SHIFTING**  
**T60**



# FRONT DECLUTCH ASSEMBLY T60



Marmon-Herrington



ITEM NO.	PART NUMBER	DESCRIPTION	QTY.	ITEM NO.	PART NUMBER	DESCRIPTION	QTY.
1	T301108	Bolt M16x70	1	20	T301050	Dowel Pin M6x20	2
2	T301107	Washer, 1710 Flange	1	21	T301211	Bolt M10x50	2
3	T601094	1710 Flange 31 Spline	1	22	T601113	Intermediate Plate, Long	1
4	T601095	Bolt M12x160	11	23	T301212	Intermediate Plate	1
5	T301044	Washer, Wave M12	11	24	T301213	Front Output Shaft Non-PD	1
6	T301037	Plug Screw M12x1.5	3	25	T301215	Coupler, Output Shaft	1
7	T301038	Sealing Ring A12x15.5	3	26	T301216	Retaining Ring 120x4	1
8	T301196	Jam Nut M16x1.5	1	27	T301217	Bearing 120x65x23	1
9	T301182	Pressure Switch	1	28	T301129	Seal, Inner	1
10	T301020	Sealing Ring A18x22	1	29	T301130	Seal, Outer	1
11	T301200	Switch Pin	1	30	T301195	Front Declutch Housing	1
12	T301081	Guide Sleeve	1				
13	T301204	O-Ring 20x3	2				
14	T301207	O-Ring 52x3	1				
15	T301206	Piston, Front Axle	1				
16	T301205	Shift Fork, Front Axle	1				
17	T301203	Spring, Front Axle	1				
18	T301209	Control Rod, Front Axle	1				
19	T301179	O-Ring 5x1.5	3				

**FRONT DECLUTCH  
ASSEMBLY**



Marmon-Herrington

